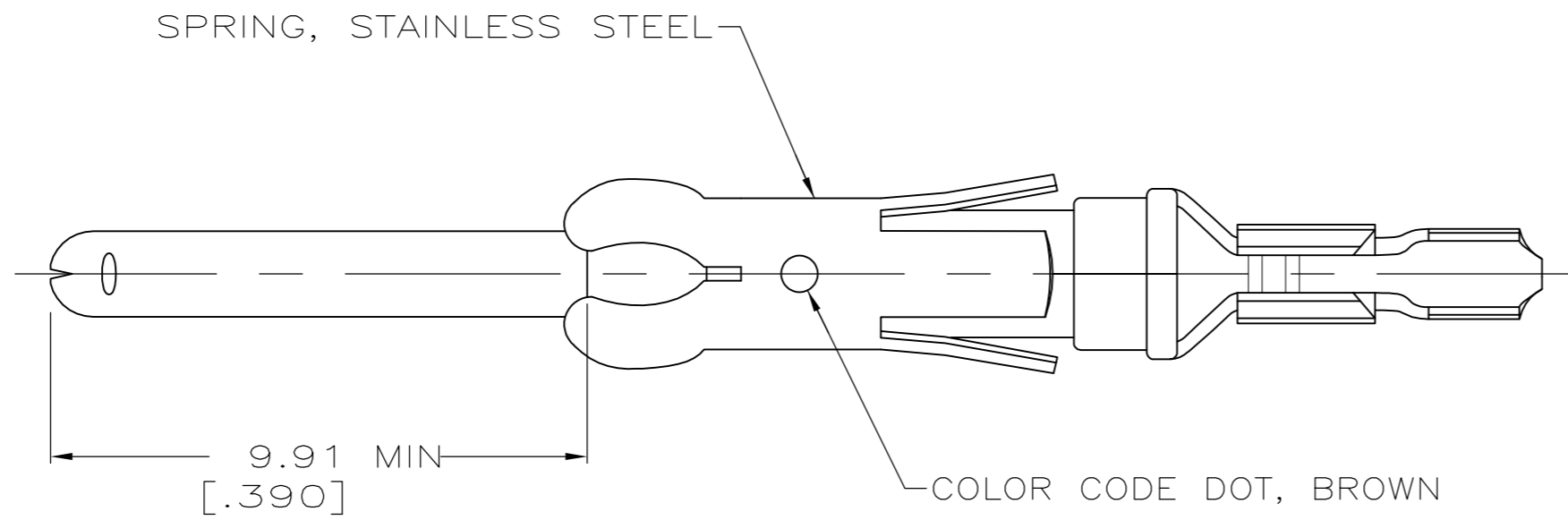
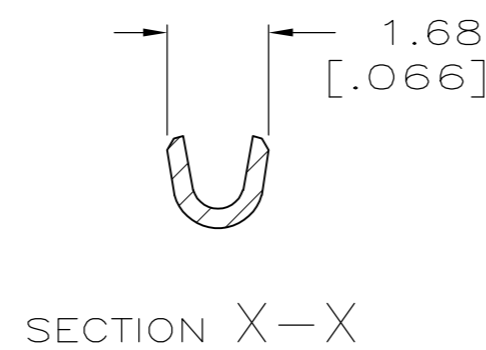
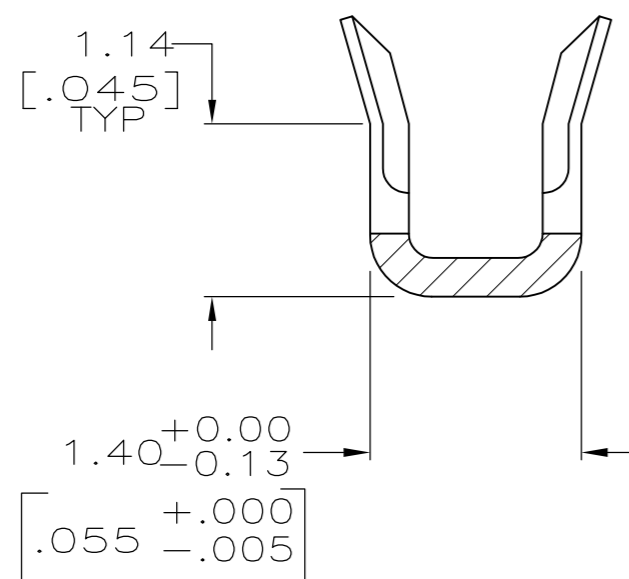
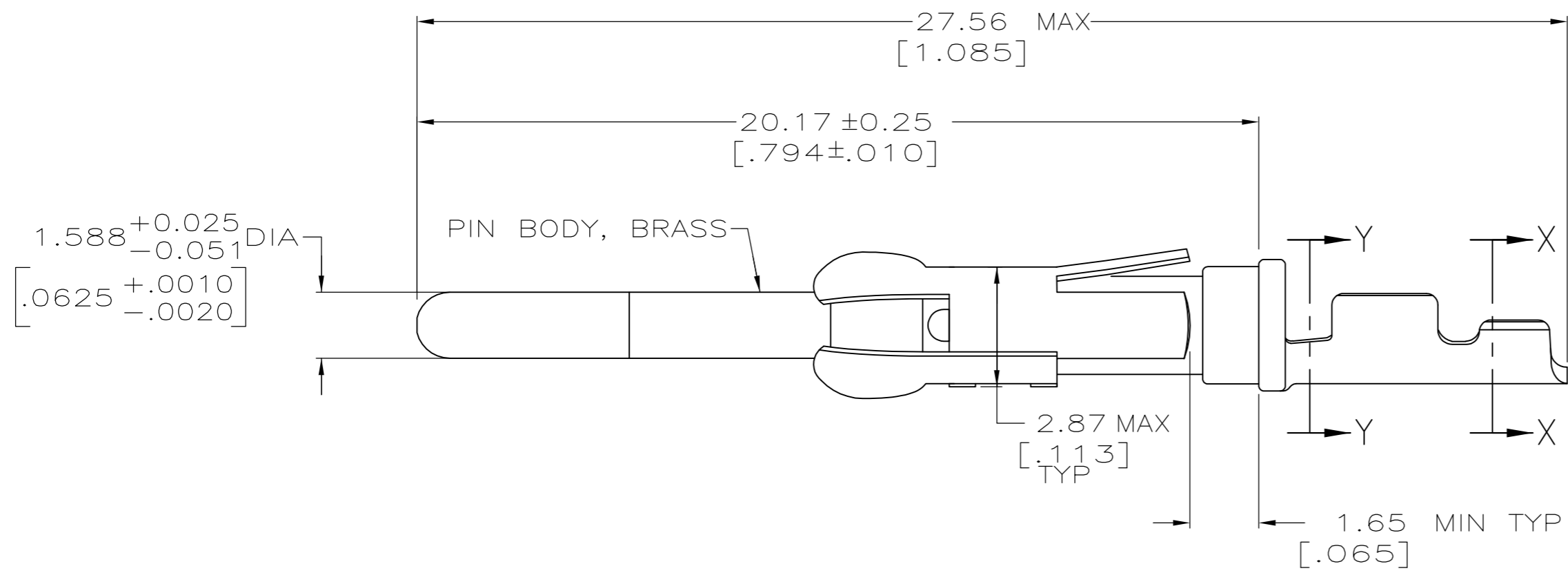


THIS DRAWING IS UNPUBLISHED. RELEASED FOR PUBLICATION
 © COPYRIGHT - By - ALL RIGHTS RESERVED.

LOC	DIST	REVISIONS			
P	LTR	DESCRIPTION	DATE	DWN	APVD
FT	47	R	REVISED PER ECO-12-012316	05JUL12	KH MZ



- 1 0.76µm[.000030] MIN PRECIOUS METAL PLATE ON MATING END FOR A LENGTH OF 5.08 [.200] MIN WITH A UNIFORM GRADIENT TO 0.25µm [.000010] ON REMAINDER, OVER 1.27µm[.000050] MIN NICKEL PLATE. GOLD FLASH ALL OVER. CONFORMS TO THE REQUIREMENTS OF TYCO ELECTRONICS PRODUCT SPEC 108-10042, BASED ON EIA/ECA-364-1000.01A (CONTROLLED ENVIRONMENT APPLICATIONS).
- 2 0.76µm[.000030] MIN PRECIOUS METAL PLATE ON MATING END FOR A LENGTH OF 5.08 [.200] MIN WITH 1.27µm[.000050]MIN MATTE TIN PLATE IN WIRE CRIMP AREA, BOTH OVER 1.27µm [.000050] MIN NICKEL PLATE. CONFORMS TO THE REQUIREMENTS OF TYCO ELECTRONICS PRODUCT SPEC 108-10042, BASED ON EIA/ECA-364-1000.01A (CONTROLLED ENVIRONMENT APPLICATIONS).
- 3 WIRE RANGE 26-30 AWG.
- 4 INSULATION RANGE 0.36[.014]-0.76[.030] DIA.



SECTION Y-Y
SCALE 20:1

THIS DRAWING IS A CONTROLLED DOCUMENT.		DWN	9-27-90	TE Connectivity	
DIMENSIONS: mm [INCHES]		CHK	12-15-90	NAME	
TOLERANCES UNLESS OTHERWISE SPECIFIED:		APVD	12-10-90	A. BOULLIANNE	
0 PLC ± -		PRODUCT SPEC	-		
1 PLC ± -		APPLICATION SPEC	-		
2 PLC ± 0.13[.005]		WEIGHT	-		
3 PLC ± -		FINISH	-		
4 PLC ± -		FINISH	-		
ANGLES ± -		WEIGHT	-		
MATERIAL		FINISH	-		
SEE CALL OUT		FINISH	-		
PIN BODY:SEE TABLE		WEIGHT	-		
CUSTOMER DRAWING		SCALE	8:1		
SHEET		DRAWING NO		RESTRICTED TO	
1 OF 1		A2 00779 C-66406		-	
REV		SCALE		REV	
R		8:1		R	